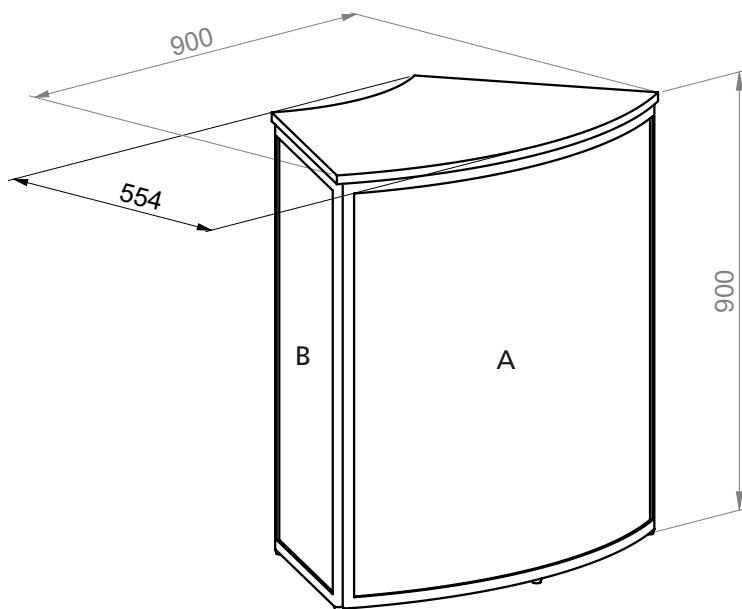


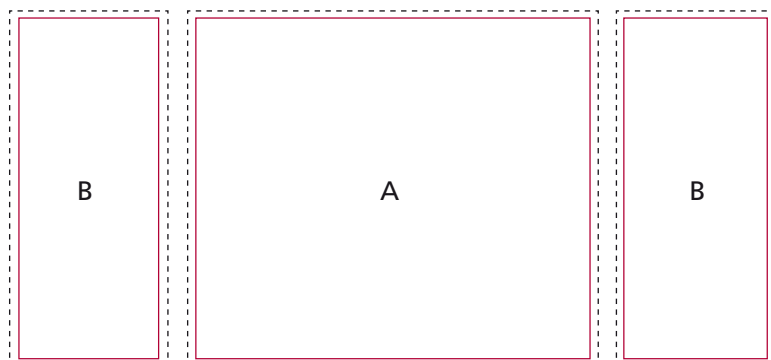
EUROcounter EC-9



Graphic dimensions

Front panel A dimension: 876 x 840 mm

Side panel B dimension: 440 x 840 mm



Graphic preparation

Entire format: - A 866 x 829 mm
- B 430 x 829 mm

Printing area: - A 896 x 860 mm
- B 460 x 860 mm

Overlap: 10 mm on each side of entire format WITHOUT CUTTING MARKS

Data requirements for digital print:

PDF:

Adobe Acrobat (version 11 and lower)
Texts integrated into the file or converted into paths.

Bitmap applications:

TIFF, BMP, EPS, Photoshop – PSD (version 13 and lower).

All data must be prepared on a 1:1 scale. Pictures on a scale of 1:4 or larger (up to 1:1) scanned in with 600 dpi (physical resolution).

Vector applications:

Illustrator – EPS nebo AI (version 13 and lower)
Logos and texts must be converted into paths.

Other applications after consultation.

Colours:

All data have to be in CMYK (be aware of fotos in RGB and direct colours in Illustrator) and must have defined the used colour profile. Otherwise we do not guarantee desired colours.

Possible data compression:

ZIP, ARJ, RAR, Stuffit

Data media:

data transfer through FTP, CD, DVD, external USB, HD,

e-mail: info@eurostand.com (max. 12 MB).